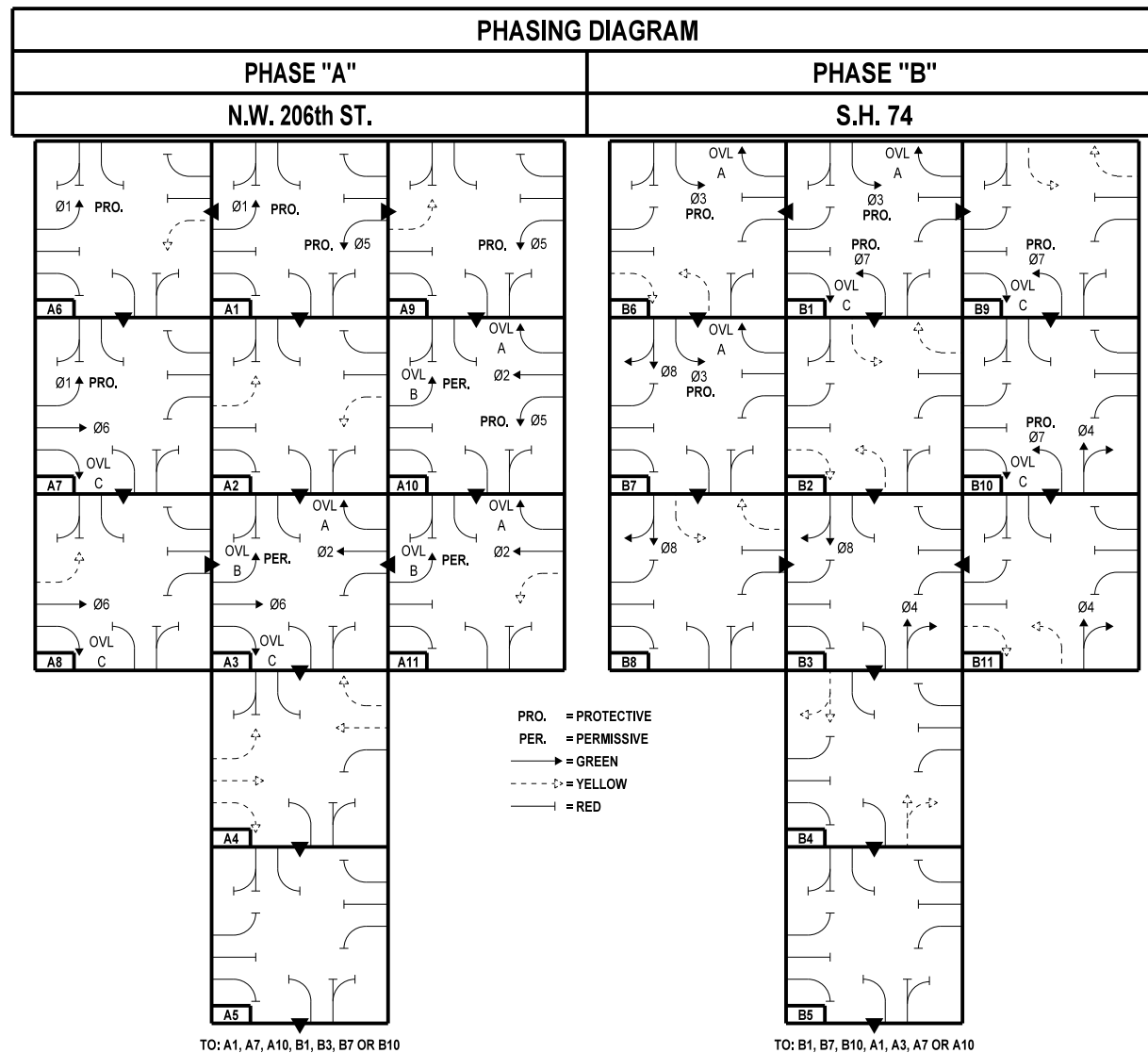
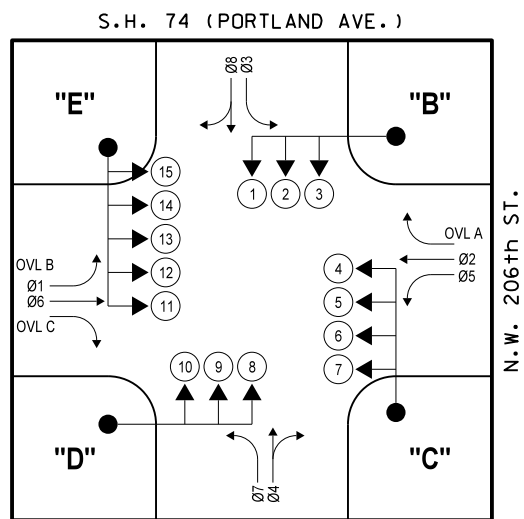


REVISIONS		
NO.	DESCRIPTION	DATE



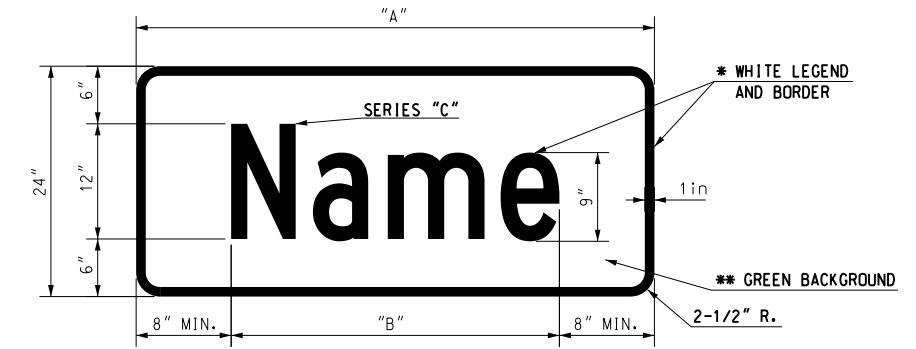
DIRECTION	BLOCK NO.	PHASE																							
		Ø7	Ø4	Ø1 OVL B	Ø6	OVL C	Ø3	Ø8	Ø5	Ø2	OVL A	SIGNAL HEAD NO.													
		1	2,3	4	5,6	7	8	9,10	11,12	13,14	15														
Ø1, Ø5 ROW	A1	←R	R	←G	R	←R	←R	R	←G	R	←R	R	←G	R	←R	←R									
Ø1, Ø5 CL	A2	←R	R	←Y	R	←R	←R	R	←Y	R	←R	R	←Y	R	←R	←R									
Ø2, Ø6, OVL A, OVL B, OVL C ROW	A3	←R	R	←Y	G	←G	←R	R	←Y	G	←R	R	←Y	G	←R	←R									
Ø2, Ø6, OVL A, OVL B, OVL C CL	A4	←R	R	←Y	Y	←Y	←R	R	←Y	Y	←R	R	←Y	Y	←R	←R									
ALL RED	A5	←R	R	←R	R	←R	←R	R	←R	R	←R	R	←R	R	←R	←R									
Ø1 ROW & Ø5 CL	A6	←R	R	←G	R	←R	←R	R	←Y	R	←R	R	←Y	R	←R	←R									
Ø1, Ø6, OVL C ROW	A7	←R	R	←G	G	←G	←R	R	←R	R	←R	R	←R	R	←R	←R									
Ø6, OVL C ROW & Ø1 CL	A8	←R	R	←Y	G	←G	←R	R	←R	R	←R	R	←R	R	←R	←R									
Ø5 ROW & Ø1 CL	A9	←R	R	←Y	R	←R	←R	R	←G	R	←G	R	←G	R	←R	←R									
Ø2, Ø5, OVL A, OVL B ROW	A10	←R	R	←Y	R	←R	←R	R	←G	R	←G	R	←G	R	←R	←R									
Ø2, OVL A, OVL B ROW & Ø5 CL	A11	←R	R	←Y	R	←R	←R	R	←R	R	←R	R	←Y	G	←R	←R									
Ø7, Ø3, OVL A, OVL C ROW	B1	←G	R	←R	R	←G	←R	R	←G	R	←R	R	←G	R	←R	←R									
Ø7, Ø3, OVL A, OVL C CL	B2	←Y	R	←R	R	←Y	←Y	R	←R	R	←R	R	←Y	R	←R	←R									
Ø4, Ø8 ROW	B3	←R	G	←R	R	←R	←R	G	←R	R	←R	G	←R	R	←R	←R									
Ø4, Ø8 CL	B4	←R	Y	←R	R	←R	←R	Y	←R	R	←R	Y	←R	R	←R	←R									
ALL RED	B5	←R	R	←R	R	←R	←R	R	←R	R	←R	R	←R	R	←R	←R									
Ø3, OVL A ROW & Ø7, OVL C CL	B6	←Y	R	←R	R	←Y	←G	R	←R	R	←R	R	←Y	R	←R	←R									
Ø3, Ø8, OVL A ROW	B7	←R	R	←R	R	←R	←G	G	←R	R	←G	R	←R	R	←G	←R									
Ø8 ROW & Ø3, OVL A CL	B8	←R	R	←R	R	←R	←Y	G	←R	R	←Y	G	←R	R	←Y	←R									
Ø7, OVL C ROW & Ø3, OVL A CL	B9	←G	R	←R	R	←G	←Y	R	←R	R	←R	R	←Y	R	←R	←R									
Ø4, Ø7, OVL C ROW	B10	←G	G	←R	R	←G	←R	R	←R	R	←R	R	←R	R	←R	←R									
Ø4 ROW & Ø7, OVL C CL	B11	←Y	G	←R	R	←Y	←R	R	←R	R	←R	R	←R	R	←R	←R									
FLASHING OPERATION	--	←FR	FR	←FR	FR	←FR	FR	←FR	FR	←FR	FR	←FR	FR	←FR	FR										

**INTERSECTION PHASING & SIGNAL HEAD NO.'S**



SUMMARY OF MAST ARM MOUNTED SIGNS							
MESSAGE	POLE LOCATION	NO. OF SIGN	A (IN.)	HEIGHT (IN.)	B (IN.)	SIGN AREA (SQ.FT.)	TOTAL SIGN AREA (SQ.FT.)
NW 206th St	B,D	2	96	24	81.7	16.00	32.00
SH 74	C,E	2	54	24	38.6	9.00	18.00
R10-12M	C	1	30	36	NA	7.50	7.50
TOTAL							57.50

\* - TYPE VIII VIP REFLECTIVE SHEETING SHALL BE USED  
 \*\* - TYPE III VIP REFLECTIVE SHEETING SHALL BE USED



Design	RWR	08/10/17
Drawn	GDB	08/10/17

**SIGNAL DETAIL PLAN**  
**N.W. 206th ST. & S.H. 74**  
 State Job No. 14964(08) Sheet No. T8  
 OKLAHOMA COUNTY